



Arresta™ User Manual



The Clearify™ is a dispersion unit certified by The Grignard Pure, LLC company to be used only with products sold by Grignard Pure, LLC, including Arresta™.

Table of Contents

| | |
|---|-------------------------------------|
| 1. Before You Begin | Error! Bookmark not defined. |
| What Is Included | Error! Bookmark not defined. |
| Claims | Error! Bookmark not defined. |
| Text Conventions | Error! Bookmark not defined. |
| Symbols | Error! Bookmark not defined. |
| Safety Notes | Error! Bookmark not defined. |
| Personal Safety | Error! Bookmark not defined. |
| Mounting and Rigging | Error! Bookmark not defined. |
| Power and Wiring | Error! Bookmark not defined. |
| Operation | Error! Bookmark not defined. |
| 2. Introduction | Error! Bookmark not defined. |
| Description | Error! Bookmark not defined. |
| Features | Error! Bookmark not defined. |
| Required Accessories | Error! Bookmark not defined. |
| Product Overview | Error! Bookmark not defined. |
| Product Dimensions | Error! Bookmark not defined. |
| 3. Setup | Error! Bookmark not defined. |
| AC Power | Error! Bookmark not defined. |
| AC Plug | Error! Bookmark not defined. |
| Resetting the Breaker | Error! Bookmark not defined. |
| Reservoir Access | Error! Bookmark not defined. |
| Remote Reservoir Hose | Error! Bookmark not defined. |
| Mounting | Error! Bookmark not defined. |
| Orientation | Error! Bookmark not defined. |
| Rigging | Error! Bookmark not defined. |
| Procedure..... | Error! Bookmark not defined. |
| Adhesive Washers..... | Error! Bookmark not defined. |
| Mounting Diagram | Error! Bookmark not defined. |
| 4. Operation | Error! Bookmark not defined. |
| Setup- Pump Priming | Error! Bookmark not defined. |
| Turn on machine | Error! Bookmark not defined. |
| Pump Priming | Error! Bookmark not defined. |
| Operating the Device | Error! Bookmark not defined. |
| Step 1 – Prime the device (see previous section)..... | Error! Bookmark not defined. |
| Step 2 – Choose configuration (see table below) | Error! Bookmark not defined. |
| Step 3 – Program Configuration..... | Error! Bookmark not defined. |
| Step 4 – Operate Device..... | Error! Bookmark not defined. |
| Cleaning the Device | Error! Bookmark not defined. |
| Replacing Arresta™ Fluid | Error! Bookmark not defined. |
| Control Panel Description | Error! Bookmark not defined. |
| Storage | Error! Bookmark not defined. |
| Power Shutdown Mode (Standby) | Error! Bookmark not defined. |

4. **Technical Specifications**Error! Bookmark not defined.

5. **Returns**.....Error! Bookmark not defined.

6. **Edition Notes**.....Error! Bookmark not defined.

Trademarks..... *Error! Bookmark not defined.*

Copyright Notice..... *Error! Bookmark not defined.*

Manual Use *Error! Bookmark not defined.*

Document Printing *Error! Bookmark not defined.*

Intended Audience *Error! Bookmark not defined.*

Disclaimer *Error! Bookmark not defined.*

1. Before You Begin

What Is Included

- Clarify™
- 4-inch removable output flange
- 1 GP fluid hose assembly
- 1 cleaning solution hose assembly
- Washer/screw set
- Mounting bracket
- Quick Reference Guide

What Is Not Included

- An external timer, to enable scheduled treatments.
- Recommend using UL listed timers with a 3-prong grounding outlet. Rating: 115V, 60 Hz, 15A/1725W

Claims

Carefully unpack the product immediately and check the container to make sure all the parts are in the package and are in good condition.




If the box or the contents (the product and included accessories) appear damaged from shipping, or show signs of mishandling, notify the carrier immediately, not Grignard Pure. Failure to report damage to the carrier immediately may invalidate your claim. In addition, keep the box and contents for inspection.

For other issues, such as missing components or parts, damage not related to shipping, or concealed damage, file a claim with Grignard Pure within 7 days of delivery.

Text Conventions

| Convention | Meaning |
|----------------------|--|
| 1–512 | A range of values |
| 50/60 | A set of values of which only one can be chosen |
| Settings | A menu option not to be modified |
| <ENTER> | A key to be pressed on the product's control panel |

Symbols

| Symbol | Meaning |
|---|---|
|  | Critical installation, configuration, or operation information. Not following these instructions may make the product not work, cause damage to the product, or cause harm to the operator. |
|  | Important installation or configuration information. The product may not function correctly if this information is not used. |
|  | Useful information. |

Safety Notes

Read all the following safety notes before working with this product. These notes contain important information about the installation, usage, and maintenance of this product.



This product contains no user-serviceable parts. Any reference to servicing in this User Manual will only apply to properly trained, certified technicians. Do not open the housing or attempt any repairs.



All applicable local codes and regulations apply to proper installation of this product.

Personal Safety

- Always disconnect from power before servicing.
- Do not operate this product if the housing, fluid tank, reservoir hoses, or cables appear damaged.
- Do not use for space heating purposes.
- Do not touch the output nozzle on this product. It is very hot during operation and it may remain hot for several hours after turning the product off.

Mounting and Rigging

- For indoor use only. DO NOT use this product outdoors or expose it to water (IP20).
- Do not leave any flammable material within 50 cm of this product while operating or connected to power.
- Always mount the product in an upright position.

Power and Wiring

- Do not carry the product by the power cord.
- Never disconnect this product from power by pulling on the cord.
- This product designed for use at 120 V, 60 Hz. Do not connect this product to a dimmer or rheostat.
- Only connect this product to a grounded and protected circuit.

Operation

- Only use Grignard Pure's Arresta™ Fluid.
- Do not add anything to the fluid.
- Be sure to run the manual cleaning cycle regularly with the approved cleaning solution.
- The maximum ambient temperature is 104 °F (40 °C). Do not operate this product at higher temperatures.
- In the event of a serious operating problem, stop using immediately.
- To eliminate unnecessary wear and improve its lifespan, during periods of non-use set the power switch to the OFF position.
- CAUTION: When transferring product from extreme temperature environments, (e.g. cold truck to warm humid ballroom) condensation may form on the internal electronics of the product. To avoid causing a failure, allow product to fully acclimate to the surrounding environment before connecting it to power.

If your Clarify™ product requires service, contact Grignard Pure, LLC.

2. Introduction

Description

The Clearify™ is a dispersion unit certified by Grignard Pure, LLC to be used only with products sold by Grignard Pure LLC, including Arresta™, a product registered by the EPA for use in preventing or eliminating mold and mildew odors in the air.

The Clearify™ is a self-contained delivery system designed to effectively treat medium sized rooms, such as conference and meeting rooms, offices, office lobbies, corporate medical offices rooms, classrooms, hotel rooms, breakrooms, and locker rooms.

Based on the size and ceiling height of the space, multiple Clearify™ devices may be deployed to ensure the proper concentration levels of Arresta™.

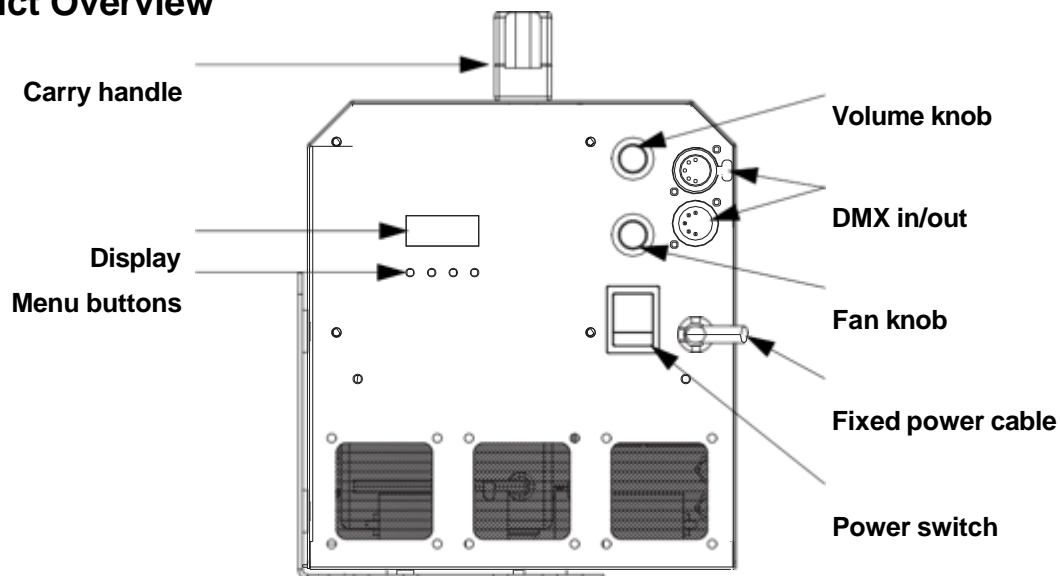
Features

- Variable output dispersion machine for portable and install applications for use with Arresta™.
- Variable output volume and fan control allow the machine to work with a wide range of room sizes.
- Low Arresta™ fluid alert (triggered when 80% of fluid is depleted based on calculated fluid usage) alerts the user to replace the Arresta™ fluid.
- Automatic cleaning function for unattended maintenance and a long life of the heating element
- Dual pump design (separate Arresta™ fluid and cleaning fluid pumps) enhances performance and reduces maintenance.
- Fluid tanks refillable or swappable for flexible fluid replacement (swappable tanks avoid spillage)
- Timer function allows interval output of the machine.
- Manual output volume and fan speed control knobs included for instant control.
- Integrated output fan for added dispersion.
- Ability to connect to remote reservoir for larger capacity and more convenient refilling
- Included mounting bracket.

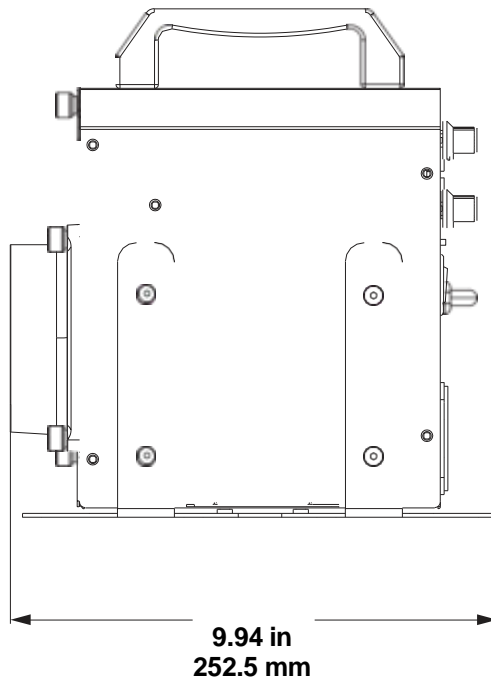
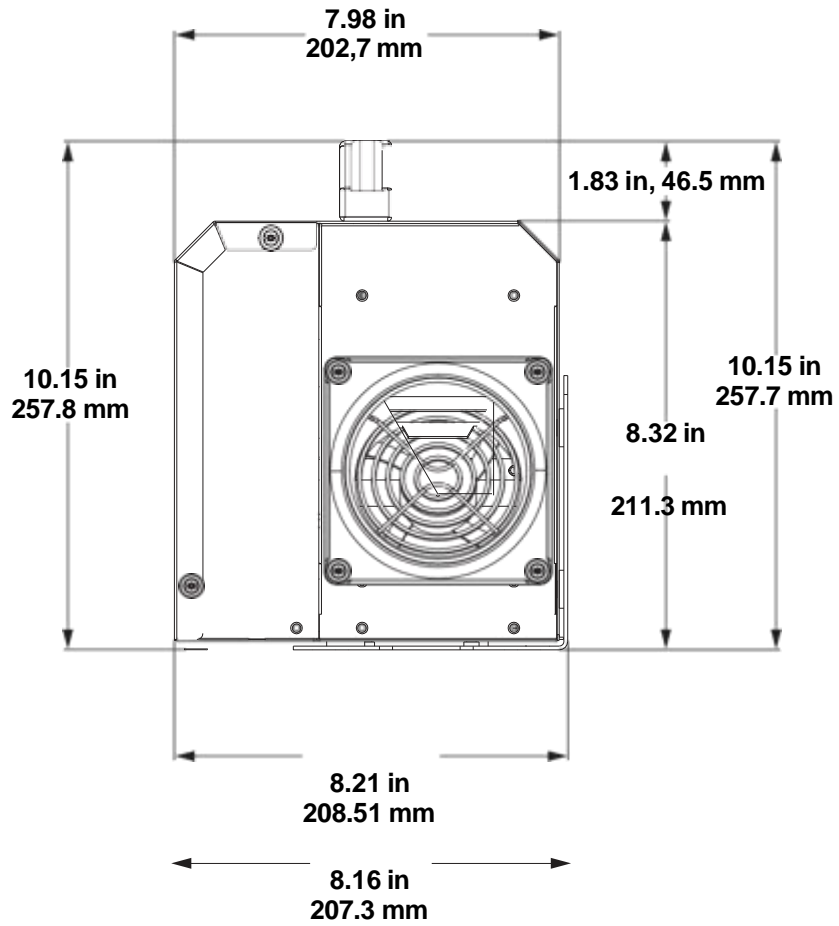
Required Accessories

- Arresta™ Fluid
- Grignard Cleaning Solution

Product Overview



Product Dimensions



3. Setup

AC Power

The Clearify™ has a fixed-voltage power supply that works with an input voltage of 120 VAC, 60 Hz. To determine the product's power requirements (circuit breaker, power outlet, and wiring), use the current value listed on the label affixed to the product's top panel, or refer to the product's specifications chart. The listed current rating indicates the product's average current draw under normal conditions.



- **Always connect the product to a protected circuit (a circuit breaker or fuse). Make sure the product has an appropriate electrical ground to avoid the risk of electrocution or fire.**
- **To eliminate unnecessary wear and improve its lifespan, during periods of non-use set the power switch to the OFF position.**



Never connect the product to a rheostat (variable resistor) or dimmer circuit, even if the rheostat or dimmer channel serves only as a 0 to 100% switch.

AC Plug

The Clearify™ comes with a fixed power input cord terminated with an Edison plug on the other end (U.S. market). If you need to change the plug, use the table below to wire the new plug.

| Connection | Wire (U.S.) | Screw Color |
|------------|--------------|-----------------|
| AC Live | Black | Yellow or Brass |
| AC Neutral | White | Silver |
| AC Ground | Green/Yellow | Green |

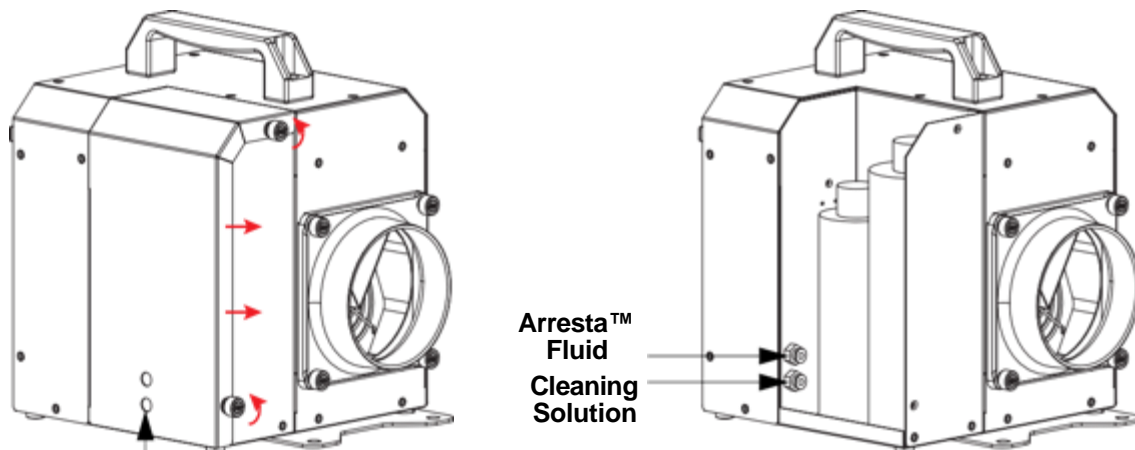
Resetting the Breaker

The power switch operates as a resettable circuit breaker (10 A, 125 V). If the breaker trips, all sections of this product will lose power.

1. Remove the power cord from main power.
2. Allow the product to cool for 15 minutes.
3. After 15 minutes, you may attempt to reset the breaker by setting the power switch to the RESET position.
4. Plug the product's power cord into the power outlet and continue using as recommended.

Reservoir Access

To access the fluid reservoirs and hoses, remove 2 thumbscrews and slide the cover off.



Holes for hoses to external fluid reservoirs

Remote Reservoir Hose

The Clearify™ has been tested to work with fluid hoses extending as far as 50 ft (15.24 m) from the product. For a proper fit, the reservoir hose for the Arresta™ and cleaning solutions must have the following dimensions: 0.15 in (4 mm) outer diameter, 0.09 in (2.5 mm) inner diameter.

Mounting

Before mounting the product, read and follow the safety recommendations indicated in the [Safety Notes](#).

Orientation

Always mount this product in an upright and stable position, making sure there is adequate room for ventilation, configuration, and maintenance.

Rigging

Grignard Pure, LLC recommends using the following general guidelines when mounting this product.

- Before deciding on a location for the product, make sure there is easy access to the product for maintenance and programming purposes.
- Make sure that the structure onto which you are mounting the product can support the product's weight. See the [Technical Specifications](#) for weight information.

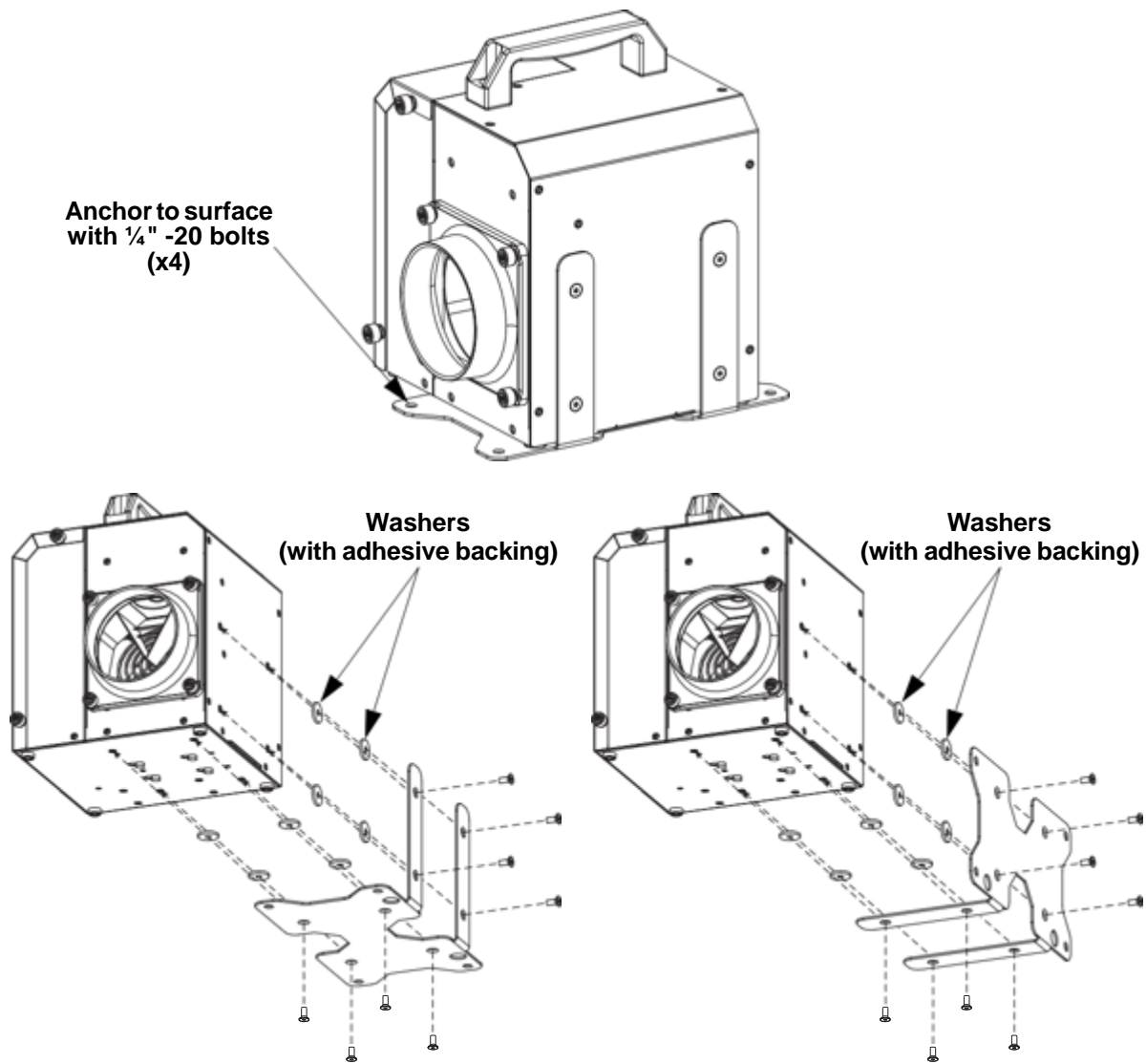
Procedure

The Clearify™ comes with a bracket which can be oriented to mount to a side wall of a structure, or be bolted down to a platform it is sitting on. Use ¼" -20 bolts.

Adhesive Washers

Place the adhesive backing of the washers directly onto the product.

Mounting Diagram



Bracket position for floor mounting

Bracket position for wall mounting

4. Operation

Setup- Pump Priming

Turn on machine

The Clearify™ unit has a red power switch that should light up once powered up. Plug in the Clearify™ and flip the red switch ON. Let machine warm up, the green display will say “Ready” once unit has reached temperature.

Pump Priming

All units should be primed before deployment. Priming a unit is simply getting all the tubes and chambers full and ready to output the product. This can take several minutes and can generate a large cloud of product as old product cleans out (if any remains) and new product fills the system. The pump priming can be accomplished by using the program on the device or via the Out-Put Volume knob. The unit is primed once a consistent stream of vaporized product is being generated.

Priming the device will create a cloud of product.

Priming the device should only be done outdoors or in a well-ventilated location.



Priming the Pump using Volume and Fan knobs.

- Make sure you have Arresta™ fluid in the reservoir.
- Turn Fan knob > 50%
- Turn Volume knob to 35%
- Output may pause or sputter as fluid fills the line and the dispersion device
- When hose and machine are full of fluid you will see a steady output of product forming a cloud.
- Once flow is steady, turn the Volume Knob back to Off.
- When output flow has stopped being visible, turn the Fan knob back to Off.

The amount of time needed to prime the pump will change depending on the power and the lengths of hose being used.

The Clearify™ has been tested to work with fluid hoses extending as far as 50 ft (15.24 m) from the product. For a proper fit, the reservoir hose for the Arresta™ and cleaning solutions must have the following dimensions: 0.15 in (4 mm) outer diameter, 0.09 in (2.5 mm) inner diameter.

Operating the Device

The Arresta™ product can only be used in Grignard Pure Time-Controlled Release Systems™:

Clarify™ devices.

Always make sure the device is plugged in and there is a sufficient amount of Arresta™ fluid in the reservoir.

Filling the reservoir

When filling the on-board reservoir on any Grignard Pure device, remove the reservoir from the device and unscrew the cap. Make sure you place the reservoir on a hard, flat surface to avoid spilling.

Carefully pour Arresta™ from the container into the reservoir. Be sure to wipe up any spills immediately. Once you have filled the reservoir, screw the cap back on and make sure it is tight. Then screw the cap back on the container of Arresta™. Return the reservoir into the device.

- For Manual Operation: set it to disperse for 2 hours, engage it to operate, ensure it is dispersing, and then leave the space.
- For Pre-scheduled operation:
 - Make sure the external timer is attached to the device (the external timer comes with the Clarify™)
 - Set the external timer on the device to disperse for 2 hours, engage it to operate and then leave the space.
- Reset the Fluid Level Alarm – hold down the Menu button for 5 seconds.
- Repeat as appropriate.

Identify the air handling environment.

{The air handling environment refers to whether the indoor space to be treated is (a.) within (smaller than) the total coverage area of one air handler or (b.) the entire air handler coverage area}

Note: An air handler is part of the HVAC system. It works alongside the heating and air conditioning system to distribute air evenly around the indoor space. Air handlers contain a blower to circulate air and a filter to remove debris and help the system work more efficiently.

Directions for treating an indoor space that is within (smaller than) the total coverage area of one air handler:

For the Clarify™

- Turn off the HVAC. Set the fan (air handler) to “Auto.”
- Close or cover all doors, windows, air vents and returns to isolate the treated space from air circulation with other parts of the building.
- Place the appropriate device on a surface or the floor away from anything that could obstruct the dispersion of Arresta™ into the space.
- Operate the device in accordance with instructions in Step 3 below.
- Ensure that the space remains unoccupied for the duration of the treatment
- You may re-enter the space 30 minutes after the device has stopped dispersing this product.
- Upon re-entry to the space, open doors, windows, air vents and returns and turn ventilation back on.
- If treating the indoor space to prevent mold and mildew odors from occurring, for best results, repeat use for three consecutive days, not exceeding 2-hour durations per day.
- Repeat as appropriate.

Directions for treating all indoor spaces that are in the coverage area of one HVAC air handler, to isolate the space to be treated from other parts of the building:

- For the device Clarify™ or MPU™ Turn air handler HVAC fans to “On.”

- Place the device on a surface or the floor away from anything that could obstruct the dispersion of this product into the space.

- Ensure that the space remains unoccupied for the duration of the treatment
- You may re-enter the space 30 minutes after the device has stopped dispersing the product
- If treating the indoor space to eliminate mold and mildew odors, use once, for a 2-hour treatment.
- If treating the indoor space to prevent mold and mildew odors from occurring, for best results repeat use for three consecutive days, not exceeding 2-hour durations per day.

Step 1 – Prime the device (see previous section)

- Priming the system ensures that all tubes and components are full of fresh Arresta™ fluid. This allows for easy and consistent operation of the device. See directions in the previous section for priming your device.
- Never deploy the device without having first primed as it can affect the output.
- Priming a system can take several minutes and can generate a large cloud of product. All priming should be done in a well large well-ventilated space or outdoors.

Step 2 – Choose configuration (see table below)

- The Clarify™ can be programmed to operate on a defined dispersion cycle by programming in Seconds On and Seconds Off.
- The durations of the on/off cycle determine how much product is in the air.
- Use the table below to match your room size to program settings.

| DEVICE | SQ FT | ROOM DIMENSIONS | CEILING HEIGHT | CU FT | DURATION | DEVICE SETTINGS (In seconds) |
|----------|--------|-----------------|----------------|---------|----------|------------------------------|
| Clarify™ | 800 | 20'x40' | 10 | 8,000 | 2hr | 10 on - 60 off at 3% volume |
| | 2,500 | 50'x50' | 10 | 25,000 | 2hr | 10 on - 30 off at 3% volume |
| | 5,000 | 71'x70' | 10 | 50,000 | 2hr | 20 on - 30 off at 5% volume |
| | 10,000 | 100'x100' | 10 | 100,000 | 2hr | 40 on - 30 off at 5% volume |

Step 3 – Program Configuration

- Plug in and turn on the Clarify™ unit via the red power switch on the rear of the device.
- The Unit will have to warm up before you can do anything further, this may take a few minutes.
- To program the dispersion settings, use the LED screen and buttons below it on the rear of the device.
- Once the screen reads “Ready”, press the MENU button 1 time to enter the **Interval Screen**.
- The screen should read Interval and displays a number.
 - The Interval is the time between scheduled dispersions, the Off value in the chart above.
 - Use Up and Down Arrow Buttons to set the desired Interval (Off) seconds per the chart above.
- Once the Interval is programmed, press the Menu Button again to move to the **Duration Screen**.
 - The Duration is the amount of time the device will dispense product. This is the “On” value in the chart above.
- Once the Duration is programmed Press Menu button once more to enter the **Output Mode Screen**.
 - The output Options are Volume (continuous output) or Timer (scheduled output).
 - Use the Up Arrow Button to choose “Timer”
 - Press the Enter Button to save your settings.

Step 4 – Operate Device

The schedule programmed according to the Instructions above will independently operate the device on the fixed Interval/Duration schedule as long as the device has power, is turned on and has a volume setting.

- Set the fan speed via the Fan Knob.
 - Fan Speed should be set between 50% and 100% during operation.
- Set the Volume Level.
 - Volume Settings are determined via the chart above.

- Turning the Volume Knob clockwise will increase the output volume.
- The screen will read "Volume On X%" once the Volume knob is moved off Zero.
- Once the Settings are all in place operate the device via the red On/Off Switch or by turning the Volume knob back to zero to stop dispersion.
- If the red Switch is used to stop dispersion, the pre-set program will run once powered and warmed up.
- Always operate the device on flat hard surface or in its wall mounted configuration.
- Point the Output flange toward the center of the room.
- Leave the room.

Instructions For Setting the Timer

- Recommend using UL listed timers with a 3-prong grounding outlet. Rating: 115V, 60 Hz, 15A/1725W
- The external timer is required to schedule treatment cycles. Setting the Clearify™ following the Program Configuration instructions in Step 3 by selecting approximate room size (according to the Dispersion Chart), an external timer will regulate power. The settings will be saved in device memory.

Step 1 – Ensure that there is fluid in the tank and that the tank is properly attached.

Step 2 – Take the external timer and plug it into the desired power source (i.e., wall socket)

Step 3 – Plug the Clearify™ or MPU™ device power cord into the external timer.

Step 4 – Turn the device on: for the Clearify™, use the on/off button on the back of the unit; for the MPU™, use the power switch inside the side access panel.

Step 5 – Follow directions for use on the external timer, to set scheduled operating time(s).

Step 6 -- Leave external timer powered on to ensure complete treatment as scheduled.

Cleaning the Device

Over time the unit may produce a buildup of un-dispersed product in the nozzle or pumps. To address this routine maintenance is recommended. The device should be run thru its cleaning cycle once monthly or at the close of any deployment.

The unit has a small on-board bottle of cleaner in the reservoir compartment. Only use Grignard Machine Cleaner in this procedure.

To run the devices cleaning cycle Press and Hold the Enter Button for 5 seconds.

Running the cleaning process can produce a large cloud of vaporized cleaner. The cleaning cycle should only be run in a large well-ventilated space or outdoors.

Replacing Arresta™ Fluid

The unit has an on-board bottle of Arresta™ (larger bottle) in the reservoir compartment. Only use Arresta™ fluid in this machine.

The bottle can be re-filled easily.

- Remove the Reservoir Compartment door.
- Take the refillable bottle out of the compartment. It is attached by a hose thru the cap providing limited range of movement.
- Place the bottle next to the unit and unscrew the cap.
- Refill the bottle with Arresta™ fluid.
- Replace the cap and hose assembly.
- Return bottle to the Reservoir compartment.

- Ensure that the filter is at the bottom of the bottle.
- Replace the Reservoir Compartment door.

The devices have a low fluid alarm system programmed in. This will warn you via an alarm when the fluid level has reached a re-fill point. The system does this by counting the number of milliliters of fluid that have passed thru. Every time a bottle is filled or topped off the counter needs to be reset for the alarm to work properly.

To reset the counter:

- Turn the Volume and Fan knobs off.
- With the machine on “Ready”, hold the “Menu” button down for 5 seconds.

To check the reset

- Turn the Volume and Fan knobs off.
- Press the Menu Button 8 times to get to the Depleted Screen
- The Depleted Screen should read “0”.

Control Panel Description

| Button/Knob | Function |
|-------------|--|
| <MENU> | Exits from the current menu or function or cycles through the menu list. Press and hold for 5 seconds: Fluid Reset |
| <UP> | Navigates upwards through the menu list or increases the numeric value when in a function |
| <DOWN> | Navigates downwards through the menu list or decreases the numeric value when in a function |
| <ENTER> | Enables the currently displayed menu or sets the currently selected value into the selected function Press and hold for 5 seconds: Self-Clean |
| Volume knob | Sets the dispersion volume (fluid consumption), 0–100% |
| Fan knob | Sets the blower fan speed, 0–100% |

- To run the self-clean mode through the display menu, press and hold <ENTER> for 5 seconds.



The maximum duty cycle for which this product is designed to operate is 12–18 hours per day.



Never operate the machine without fluid.

Storage

Before storing the product, run the self-clean mode and empty the fluid reservoirs. Cleaning the system prior to storage will help prevent any particles from condensing inside the heating element while not in use.



Test-run your Clarify™ on a monthly basis to achieve the best performance.

Arresta™ Storage & Disposal: Do not contaminate water, food, or feed by storage or disposal.

Storage: Keep container tightly closed and properly labeled. **Shelf Life:** Product is stable in an unopened sealed container for 3 years. Once opened product is stable for one year if the cap is closed when the product is not in use. **Product Disposal:** Follow Federal, State, provincial and local Government requirements for waste. **Container Handling:** Non-refillable container. Do not reuse or refill this container. Offer for recycling if available, or place in trash collection.

Power Shutdown Mode (Standby)

Between uses, either set the power switch to the OFF position or unplug the unit.



- **The product may remain in this mode for several days between uses.**
- **There is a short delay (3 seconds) before the power shutdown mode activates.**
- **This is a “latching” control. Once activated it must be deactivated.**



Power consumption during the power shutdown mode is 9 W, 0.075 A.

4. Technical Specifications

Dimensions and Weight

| Parameter | Length | Width | Height |
|-----------------------------|--------------------------------|----------------------------------|--------------------|
| With handle | 7.98 in (202.7 mm) | 10.15 in (257.8 mm) | 8.16 in (207.3 mm) |
| Without handle | 7.98 in (202.7 mm) | 8.32 in (211.3 mm) | 8.16 in (207.3 mm) |
| Weight (with Flange) | Weight (without Flange) | Weight (Optional Bracket) | |
| 10.5 lb (4.76 kg) | 10.4 lb (4.72 kg) | 1.2 lb (0.6 kg) | |

Note: Dimensions in inches are rounded.

Power

| Power Supply Type | Range | Voltage Selection | Breaker |
|----------------------------|----------------------------------|--|--|
| Fixed | 120 VAC, 60 Hz | Fixed | 10 A, 125 V |
| Consumption @ 120 V, 60 Hz | Operating Current @ 120 V, 60 Hz | Consumption @ 120 V, 60 Hz (Power Shutdown Mode) | Operating Current @ 120 V, 60 Hz (Power Shutdown Mode) |
| 400 W | 3.3 A | 9 W | 0.075 A |
| Power Input Connector | Power Cord plug | | |
| Fixed | Edison (U.S.) | | |

Operation

| Output Airflow | GP Fluid Tank Capacity | Cleaning Solution Tank Capacity |
|----------------|---------------------------|---------------------------------|
| 0-50 cfm | 0.5 L (16.9 oz) | 0.25 L (8.45 oz) |
| Heat-Up Time | Maximum Fluid Consumption | Minimum Fluid Consumption |
| 1 min 30 sec | 4 ml/min | 0.25 ml/min |

Fluid Run-Times

| | | |
|----------------------------|----------------------------|------------------------------|
| 0.5 L @ 4 ml/min | 0.5 L @ 0.25 ml/min | 1.0 L @ 4 ml/min |
| 9.85 hr | 157.67 hr | 19.71 hr |
| 1.0 L @ 0.25 ml/min | 1.0 Gal @ 4 ml/min | 1.0 Gal @ 0.25 ml/min |
| 315.33 hr | 78.85 hr | 1,261.67 hr |

Note: Maximum fluid run-times based on 20% duty cycle.

Thermal

| Ambient Temperature Range | Surface Temperature Range | Cooling System |
|-------------------------------|-------------------------------|-------------------------|
| 39.2°F to 104°F (4°C to 40°C) | 39.2°F to 122°F (4°C to 50°C) | Fan-assisted convection |

DMX

| I/O Connector | Channel Range |
|---------------|---------------|
| 5-pin XLR | 3 |

Ordering

| Product Name | Item Name | Item Code | UPC Number |
|--------------|-----------|-----------|--------------|
| Clarify™ | CLEARIFY™ | 99071839 | 781462221874 |



Complies with:
UL 499
US CSA C22.2 No. 64-10



5. Returns

Send the product prepaid, in the original box, and with the original packing and accessories. Grignard Pure, LLC will not issue call tags.

Call Grignard Pure, LLC and request a Return Merchandise Authorization (RMA) number before shipping the product. Be prepared to provide the model number, serial number, and a brief description of the cause(s) for the return.

Clearly label the package with an RMA number. Grignard Pure, LLC will refuse any product returned without an RMA number.

Write the RMA number on a properly affixed label. DO NOT write the RMA number directly on the box.

Before sending the product, clearly write the following information on a piece of paper and place it inside the box:

- Your name
- Your address
- Your phone number
- RMA number
- A brief description of the problem

Be sure to pack the product properly. Any shipping damage resulting from inadequate packaging will be your responsibility. FedEx or UPS packing, or double boxing are recommended.

Return to:
Grignard Pure: Return
505 Capobianco Plaza
Rahway, NJ. 07065

6. Edition Notes

The Clearify™ User Manual includes a description, safety precautions, installation, programming, operation, and maintenance instructions for the Clearify™ as of the release date of this edition.

Trademarks

CLEARIFY™, the Clearify logo, and Clearify are registered trademarks or trademarks of Chauvet & Sons, LLC (d/b/a Chauvet and Chauvet Lighting) in the United States and other countries. Other company and product names and logos referred to herein may be trademarks of their respective companies.

Copyright Notice

The works of authorship contained in this manual, including, but not limited to, all design, text and images are owned by Grignard Pure LLC.

© **Copyright 2021 Grignard Pure LLC. All rights reserved.**

Electronically published by Grignard Pure in the United States of America.

Manual Use

Grignard Pure authorizes its customers to download and print this manual for

professional information purposes only. Grignard Pure expressly prohibits the usage, copy, storage, distribution, modification, or printing of this manual or its content for any other purpose without written consent from Grignard Pure.

Document Printing

For best results, print this document in color, on letter size paper (8.5 x 11 in), double-sided. If using A4 paper (210 x 297 mm), configure the printer to scale the content accordingly.

Intended Audience

Any person installing, operating, and/or maintaining this product should completely read through the guide that shipped with the product, as well as this manual, before installing, operating, or maintaining this product.

Disclaimer

Grignard Pure, LLC believes that the information contained in this manual is accurate in all respects. However, Grignard Pure, LLC assumes no responsibility and specifically disclaims any and all liability to any party for any loss, damage or disruption caused by any errors or omissions in this document, whether such errors or omissions result from negligence, accident or any other cause. Grignard Pure, LLC reserves the right to revise the content of this document without any obligation to notify any person or company of such revision; however, Grignard Pure, LLC has no obligation to make, and does not commit to make, any such revisions.